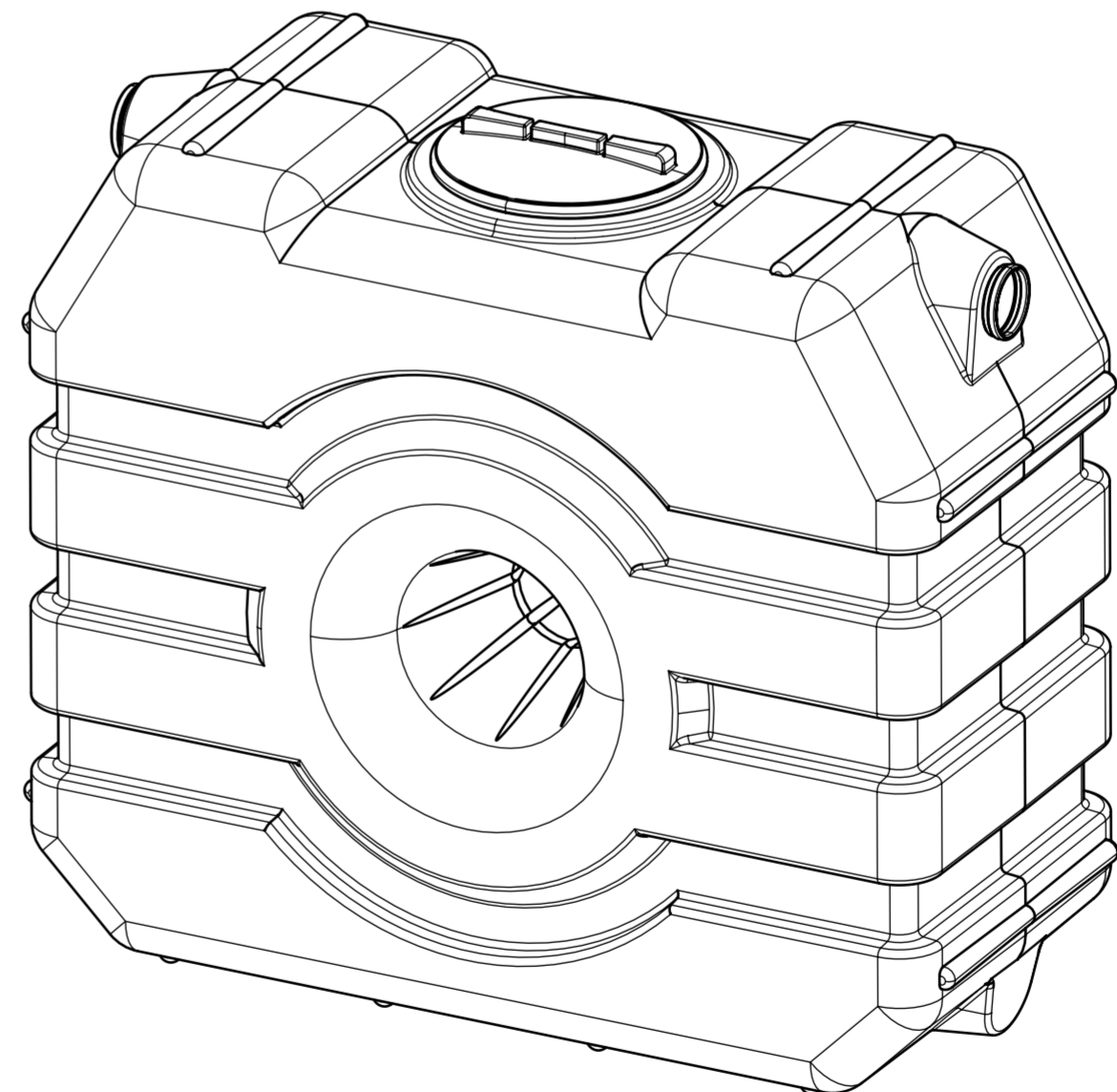
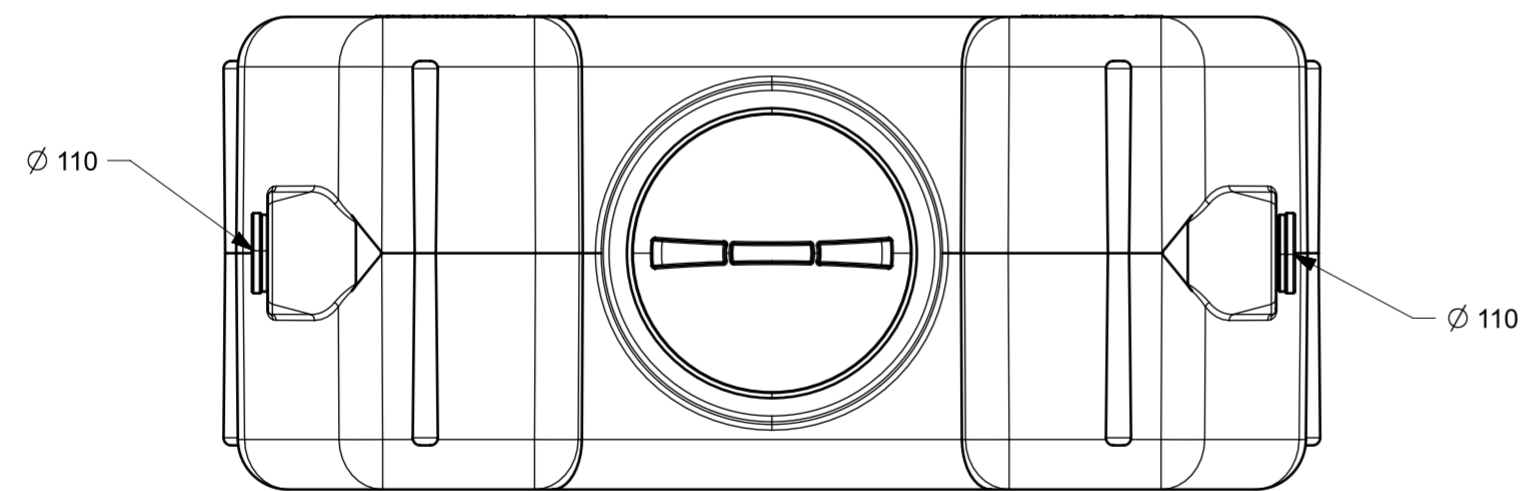
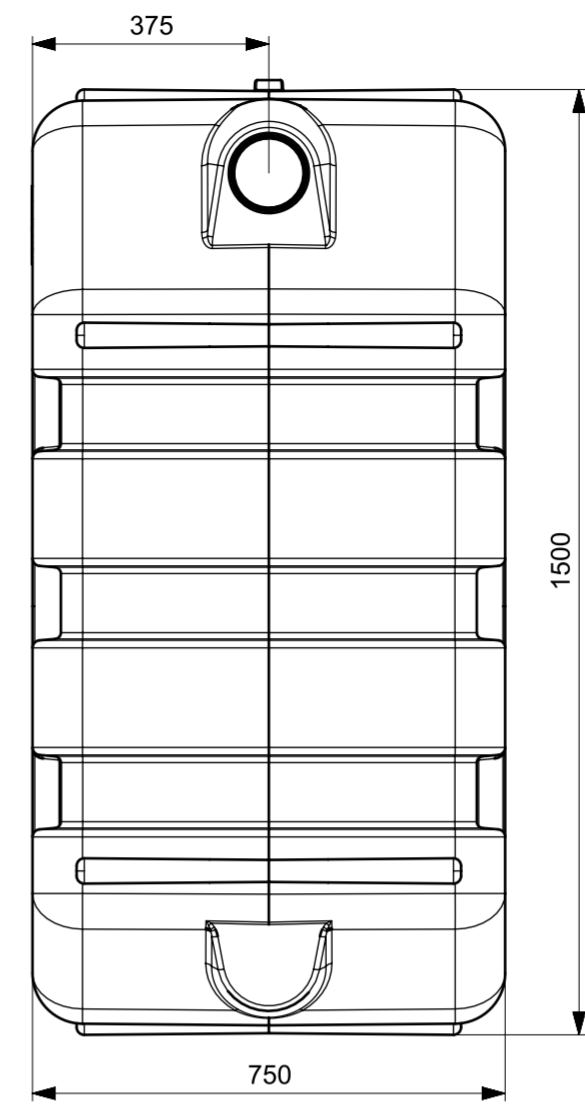
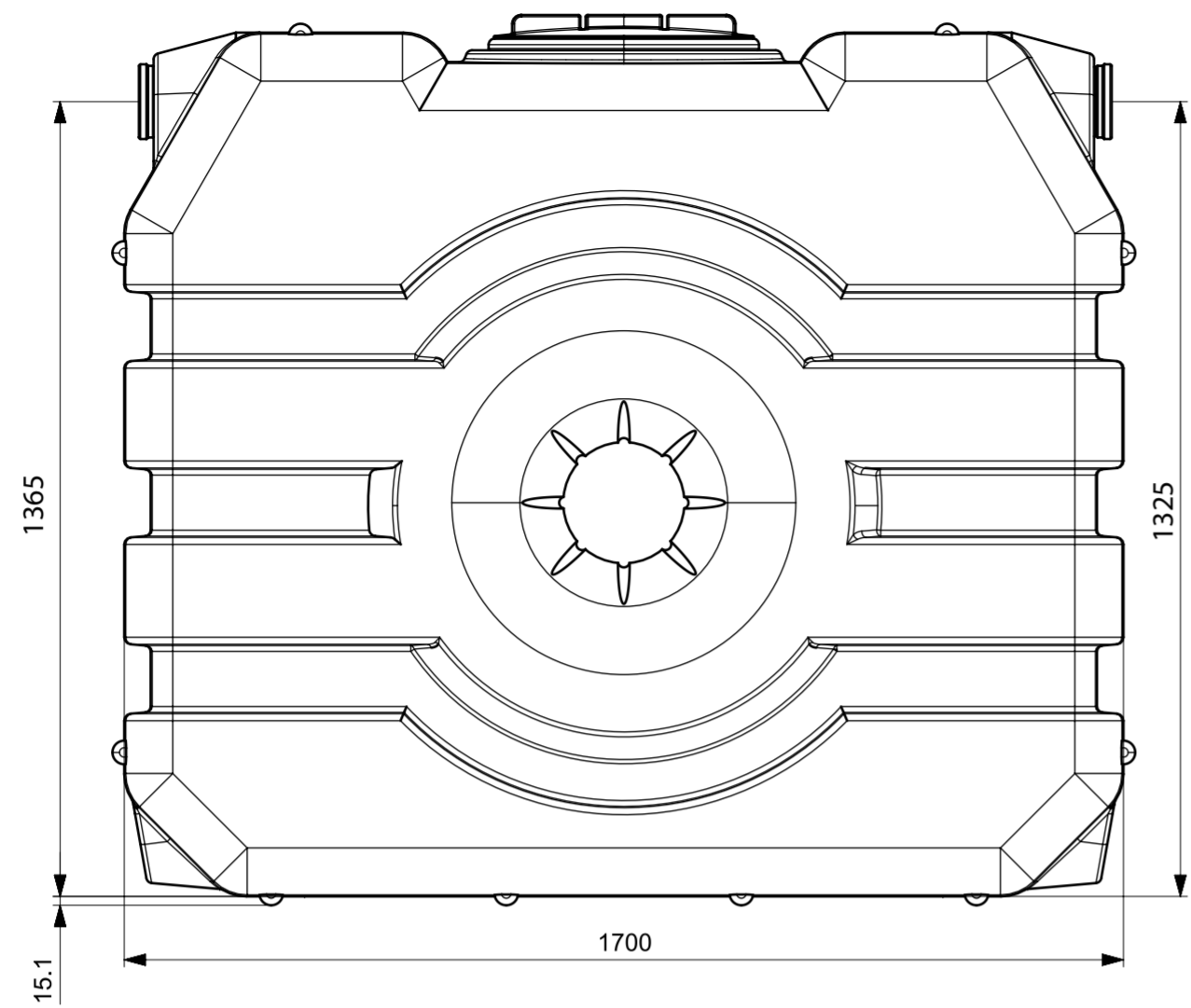
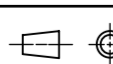
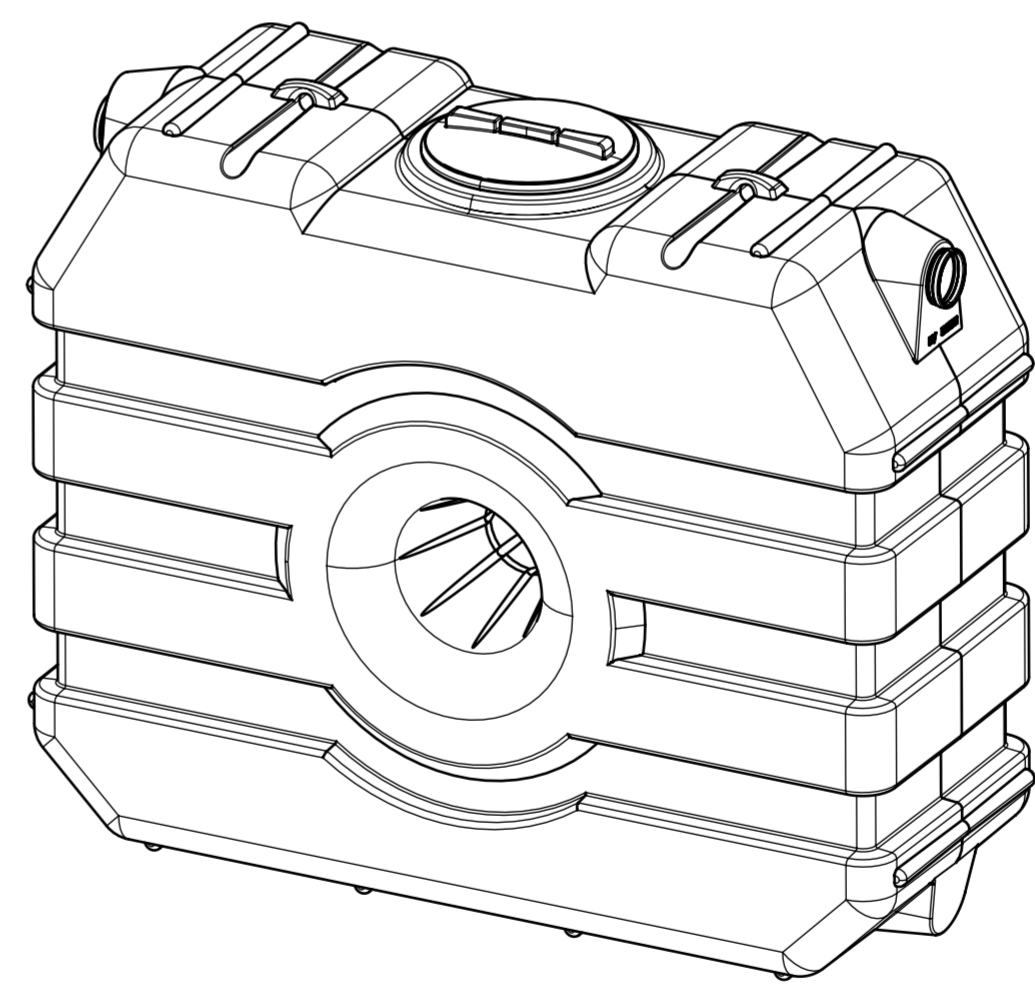
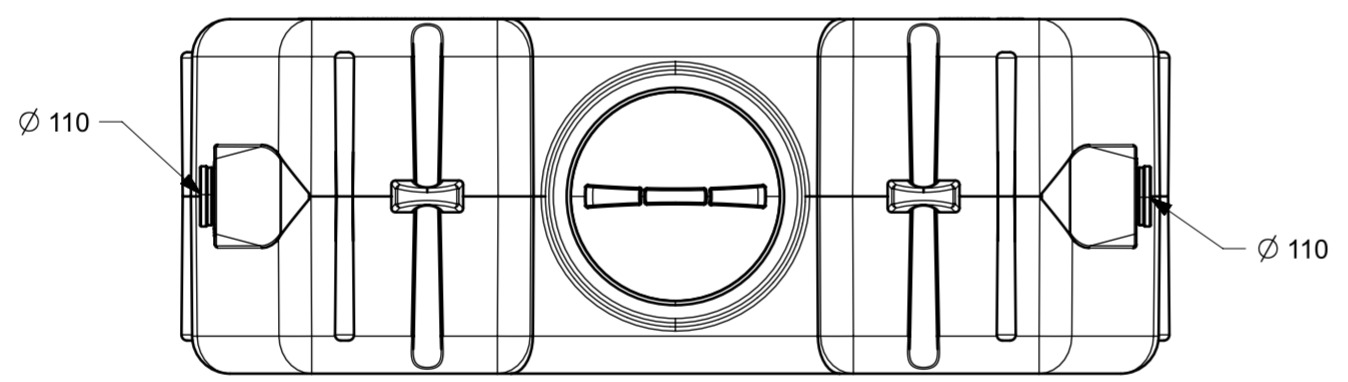
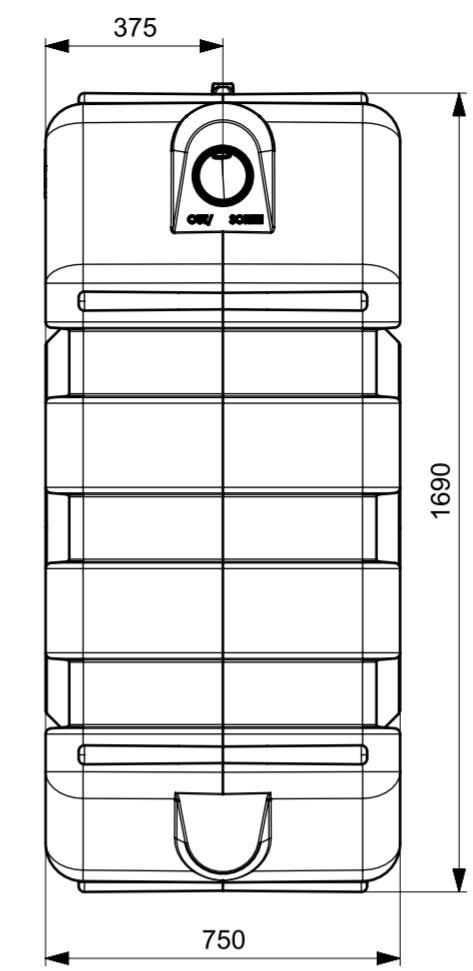
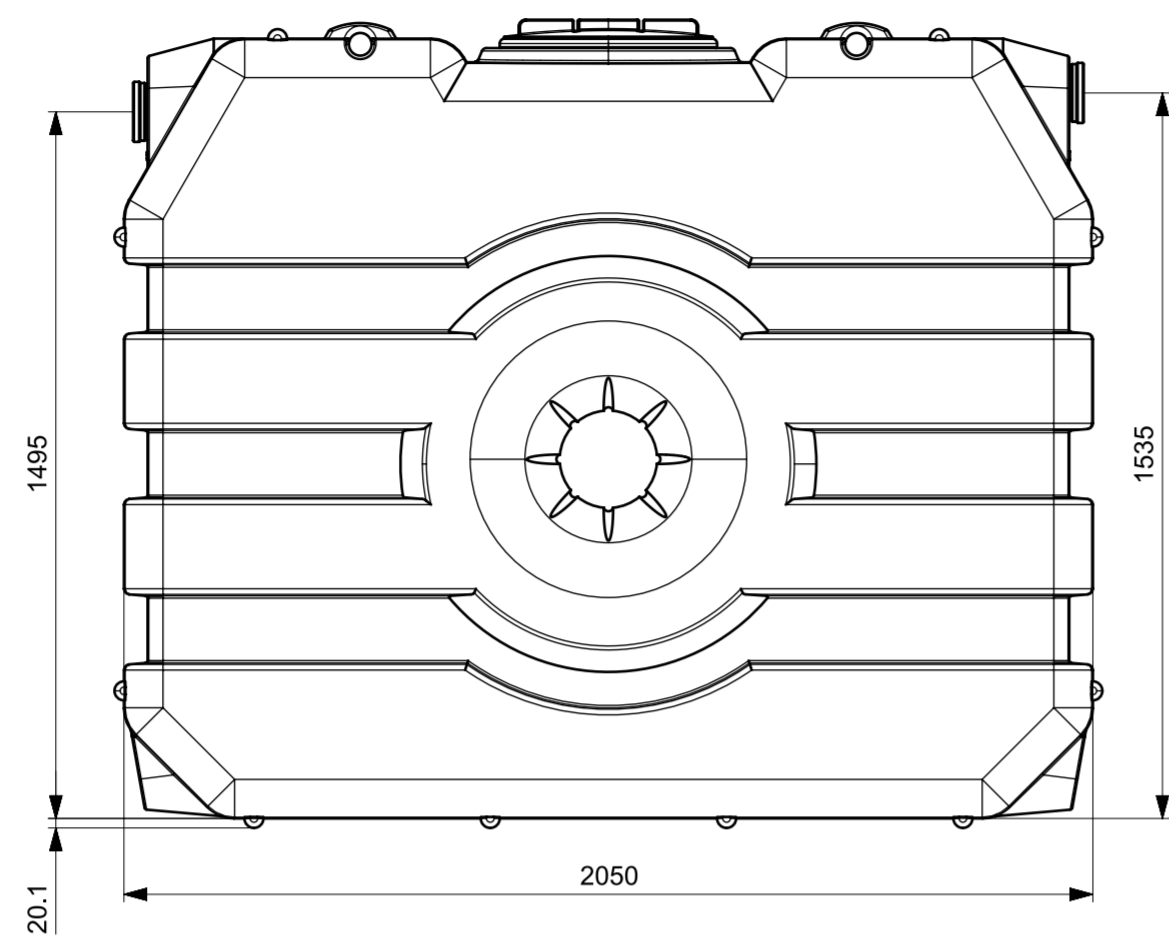


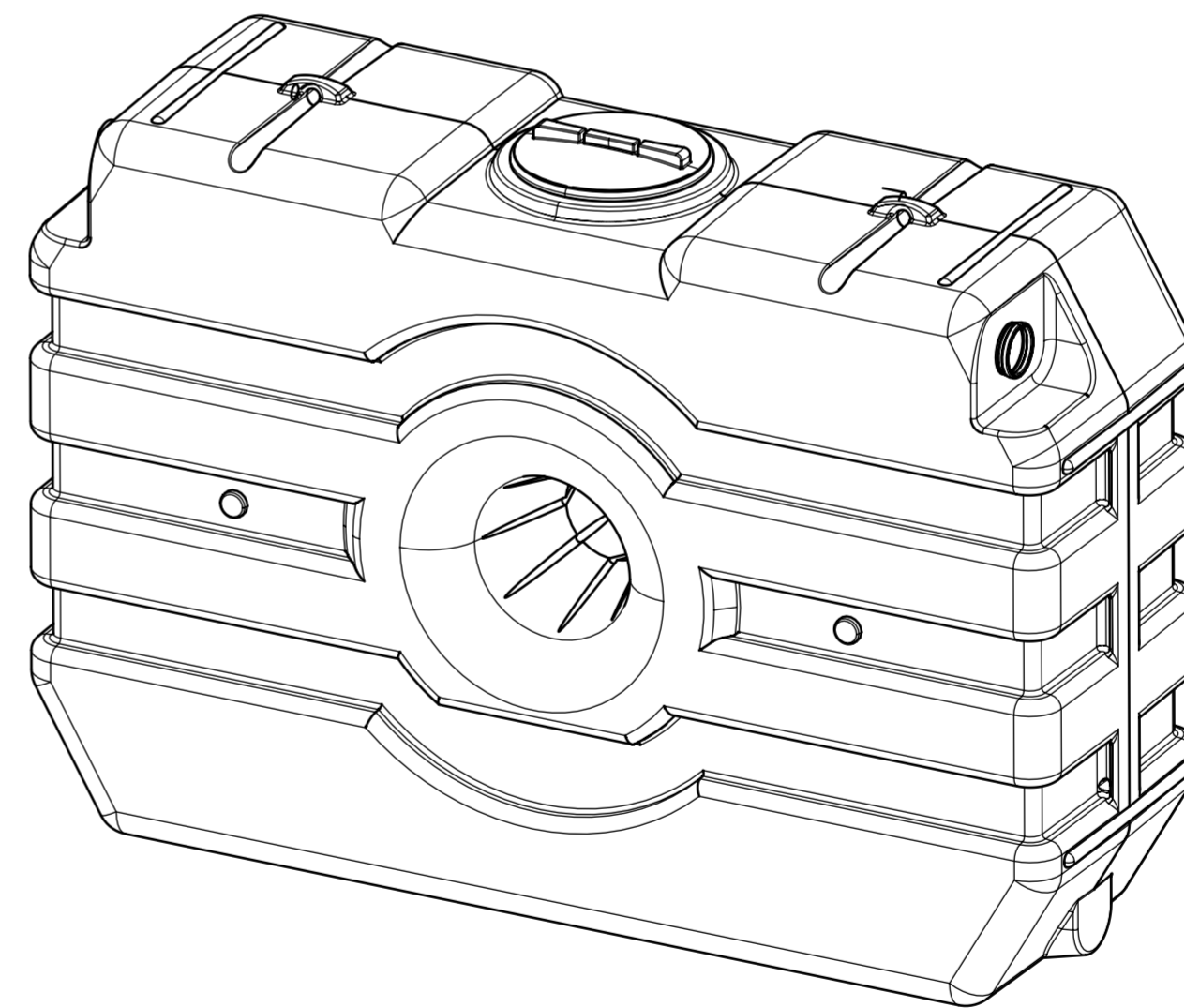
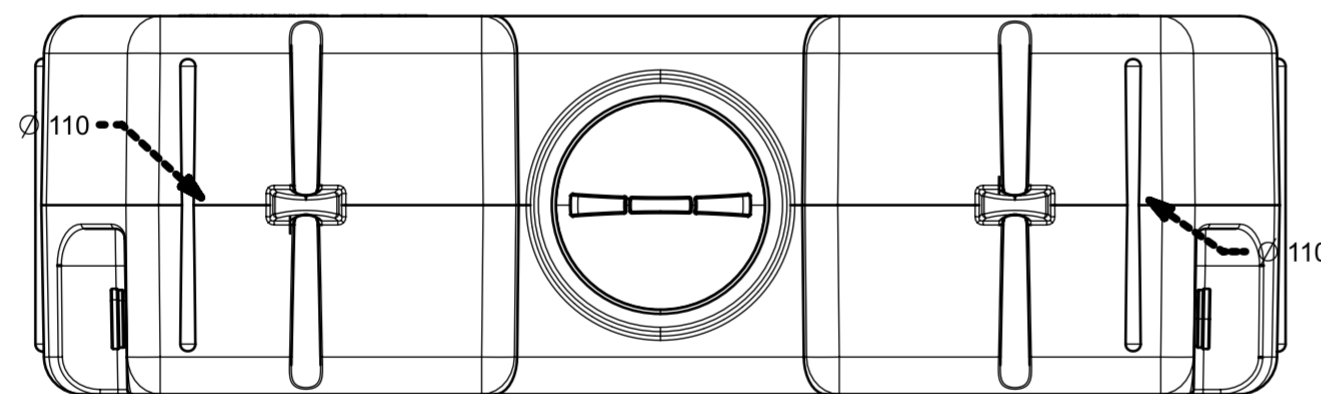
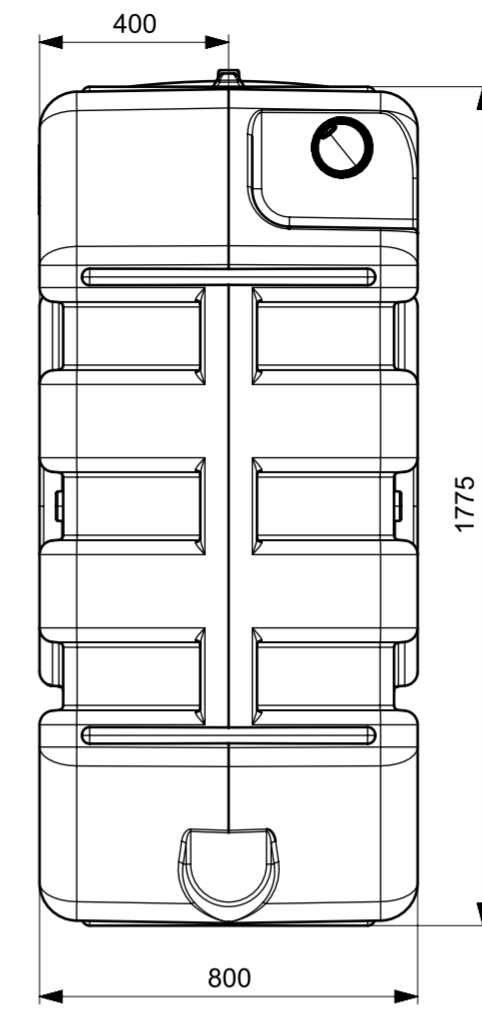
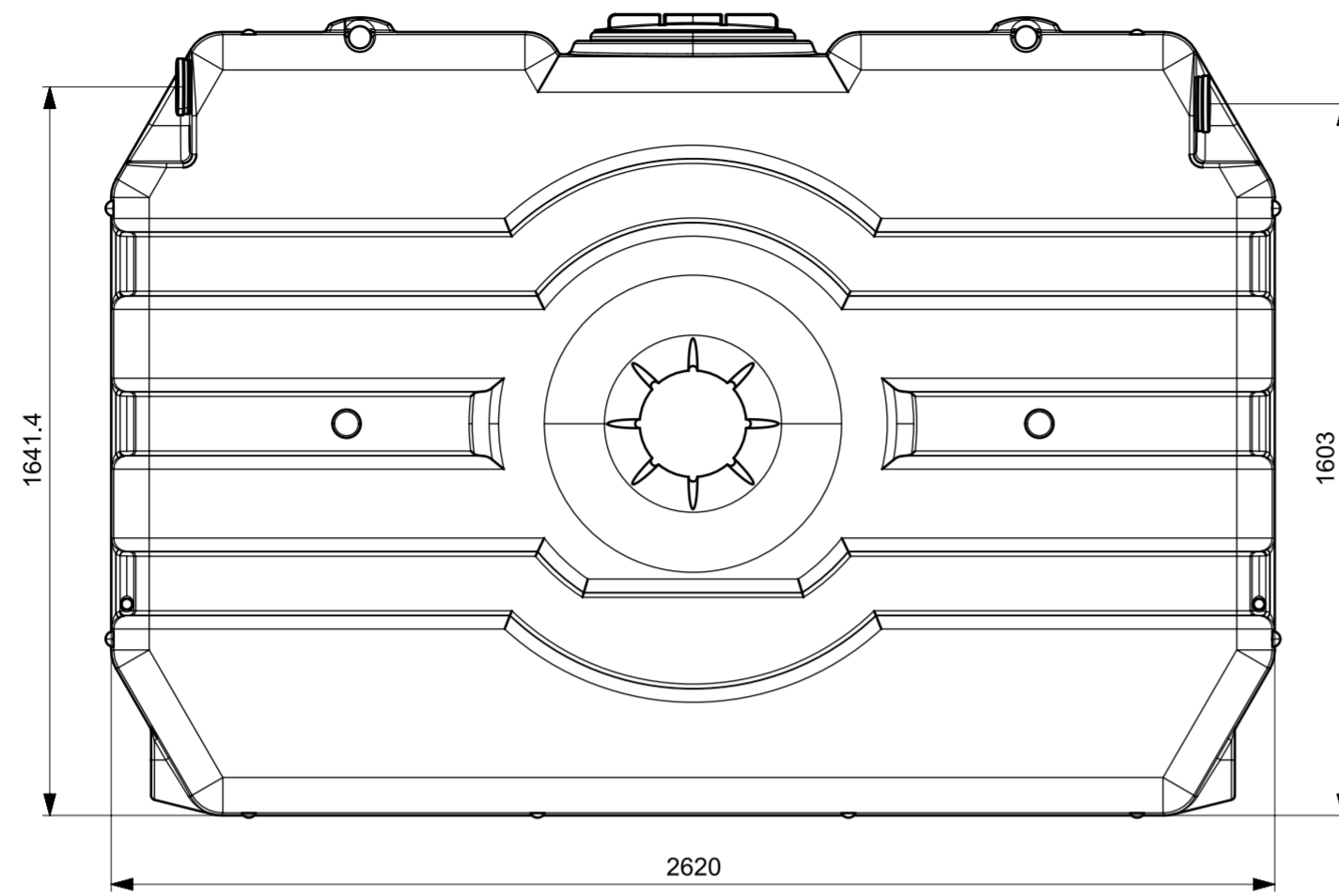
Linear tolerances	Surface roughness	Shape and positioning tolerances	Bend tolerances	Finishing
Drawing name				Material
RH 1000L SLIM				LLDPE
Drawn by	Name	Date	Drawing number	Sheet 1 of 1
Approved by	unit : MM		RH_1000_SLIM_2D_0.01.prt	Scale 1 : 12
DS PLASTICS WATERTIGHT SOLUTIONS DS PLASTICS N.V. Mosten 18 9160 Lokeren T: +32 (0)9 280 78 80			All rights reserved. No parts of this concept may be reproduced in any form or by any means without the prior written permission of DS PLASTICS N.V.	



Linear tolerances	Surface roughness	Shape and positioning tolerances	Bend tolerances	Finishing
Drawing name				Material
RH 1500L				LLDPE
Drawn by	Name	Date	 Drawing number RH_1500_2D_0.01.prt	Sheet 1 of 1
Approved by	unit : MM			Scale 1 : 12
DS PLASTICS WATERTIGHT SOLUTIONS DS PLASTICS N.V. Mosten 18 9160 Lokeren T: +32 (0)9 280 78 80			All rights reserved. No parts of this concept may be reproduced in any form or by any means without the prior written permission of DS PLASTICS N.V.	



Linear tolerances	Surface roughness	Shape and positioning tolerances	Bend tolerances	Finishing
Drawing name				Material
RH 2000L				LLDPE
Drawn by	Name	Date	Drawing number	Sheet
Approved by	unit : MM			1 of 1
			RH_2000_2D_0.01.prt	Scale
				1 : 16
				Format
				A2
DS PLASTICS WATERTIGHT SOLUTIONS DS PLASTICS N.V. Mosten 18 9160 Lokeren T: +32 (0)9 280 78 80			All rights reserved. No parts of this concept may be reproduced in any form or by any means without the prior written permission of DS PLASTICS N.V.	



Linear tolerances	Surface roughness	Shape and positioning tolerances	Bend tolerances	Finishing
Drawing name				Material
RH 3000L				LLDPE
Drawn by	Name	Date	Drawing number	Sheet
Approved by	unit : MM			1 of 1
			RH_3000_2D_0.01.prt	Scale
				1 : 16
				Format
				A2
DS PLASTICS WATERTIGHT SOLUTIONS DS PLASTICS N.V. Mosten 18 9160 Lokeren T: +32 (0)9 280 78 80				All rights reserved. No parts of this concept may be reproduced in any form or by any means without the prior written permission of DS PLASTICS N.V.