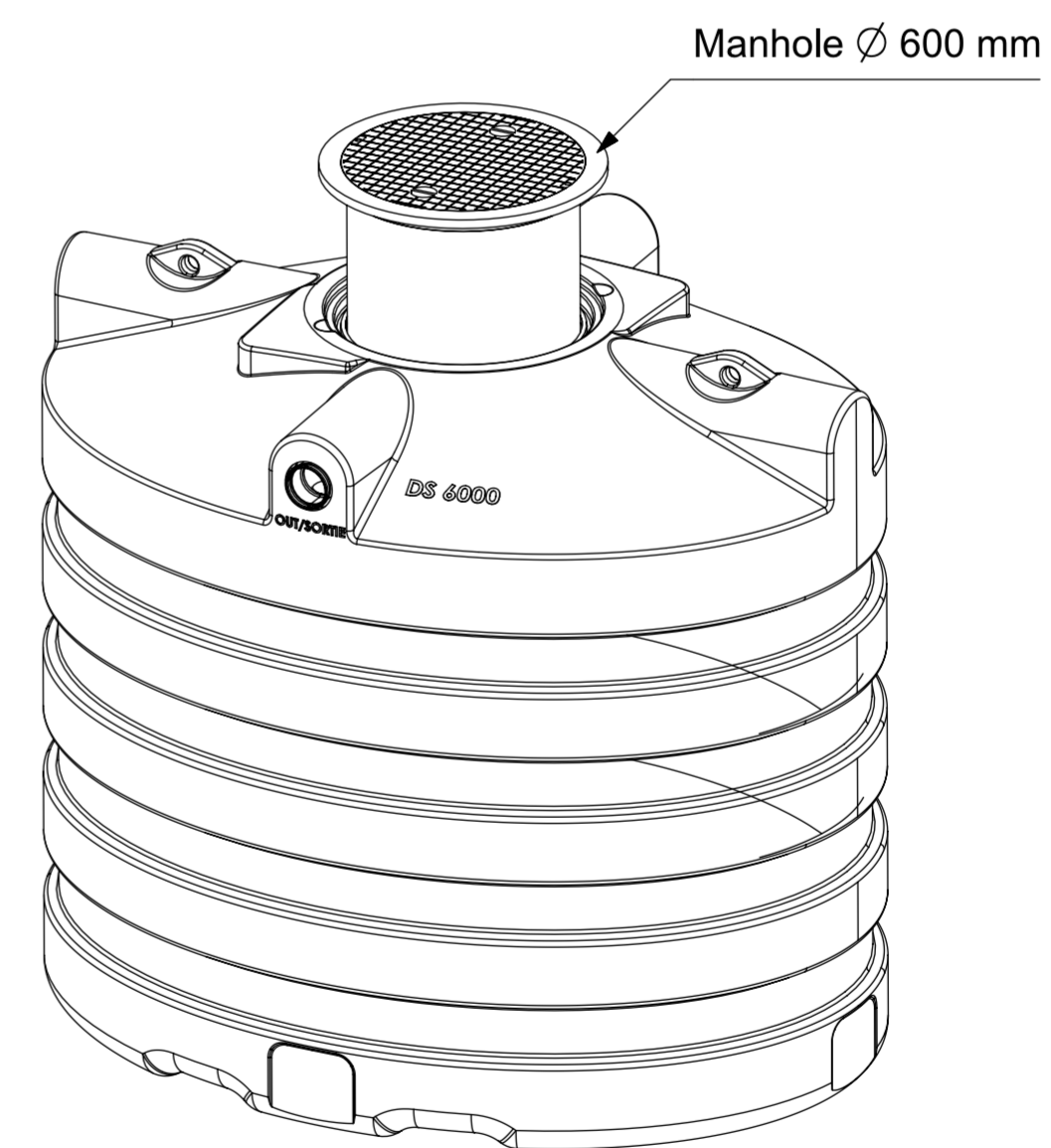
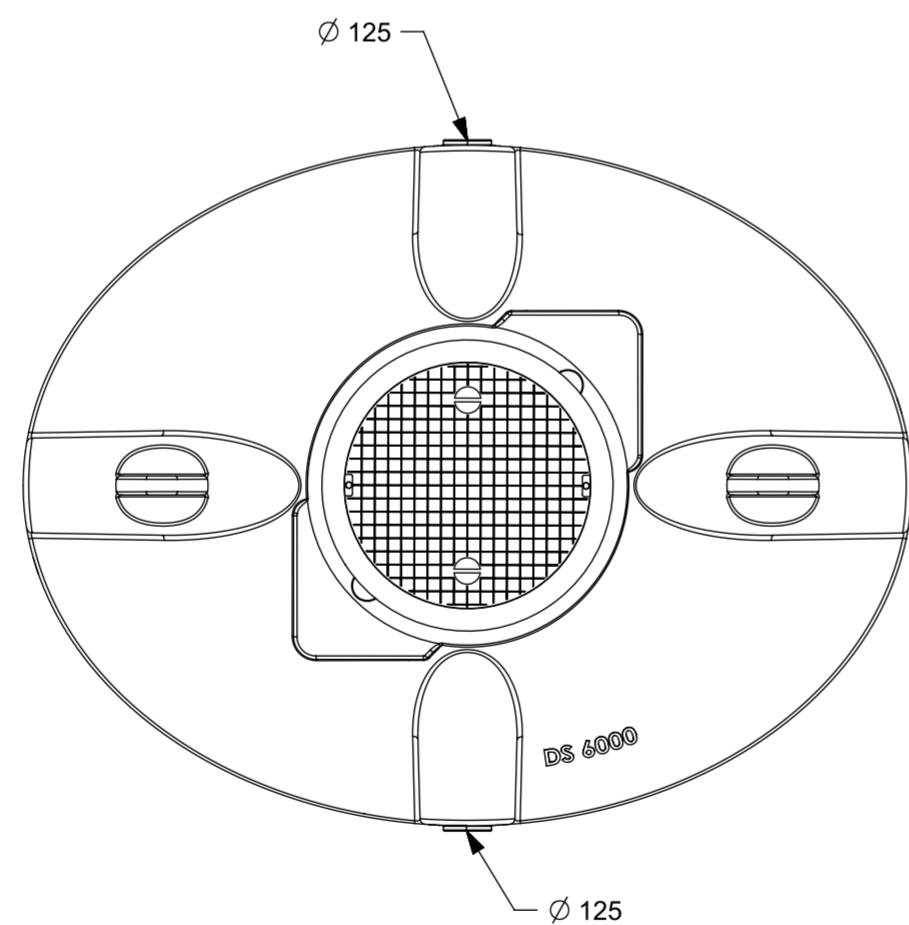
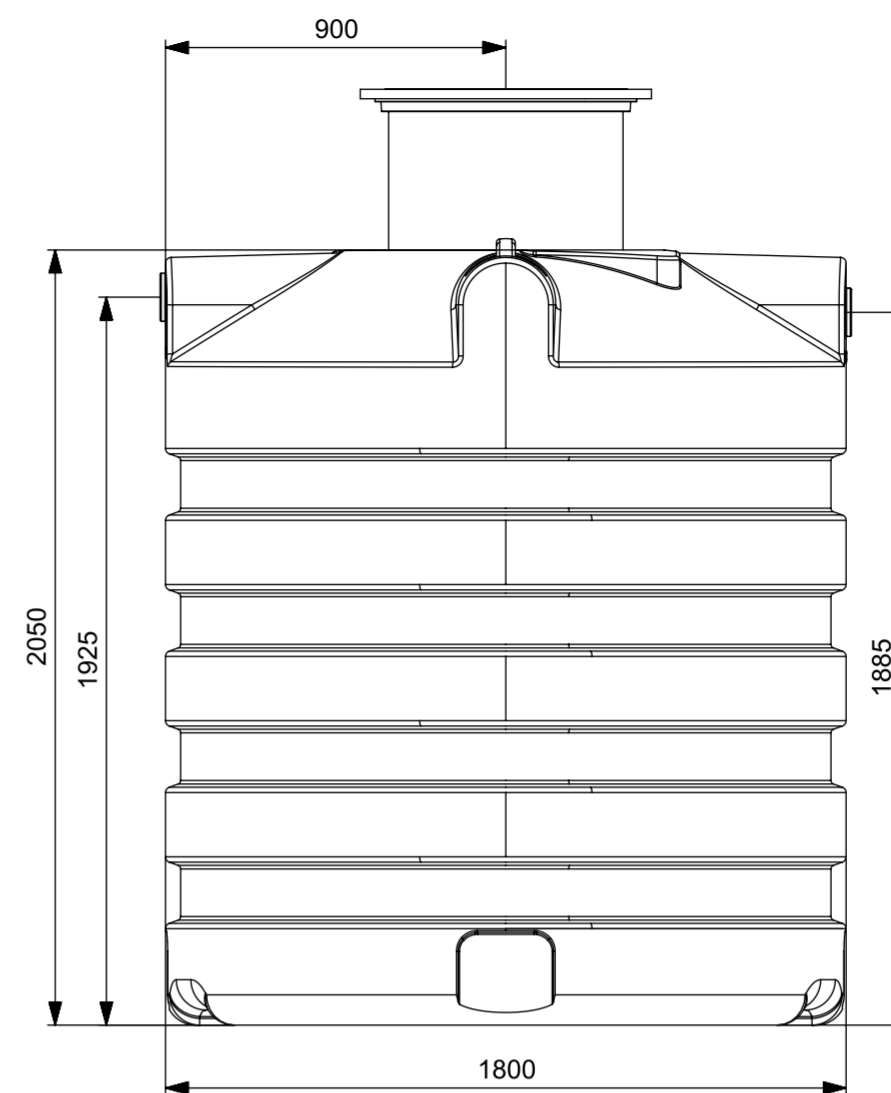
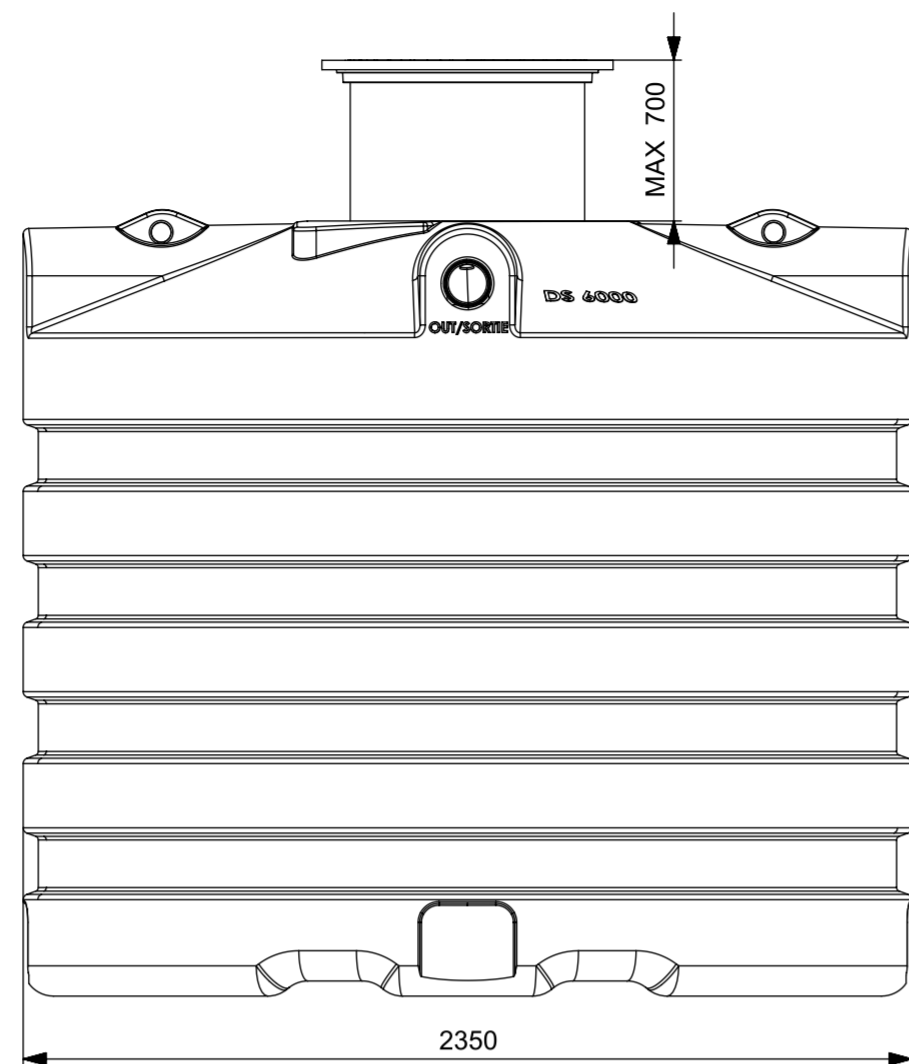
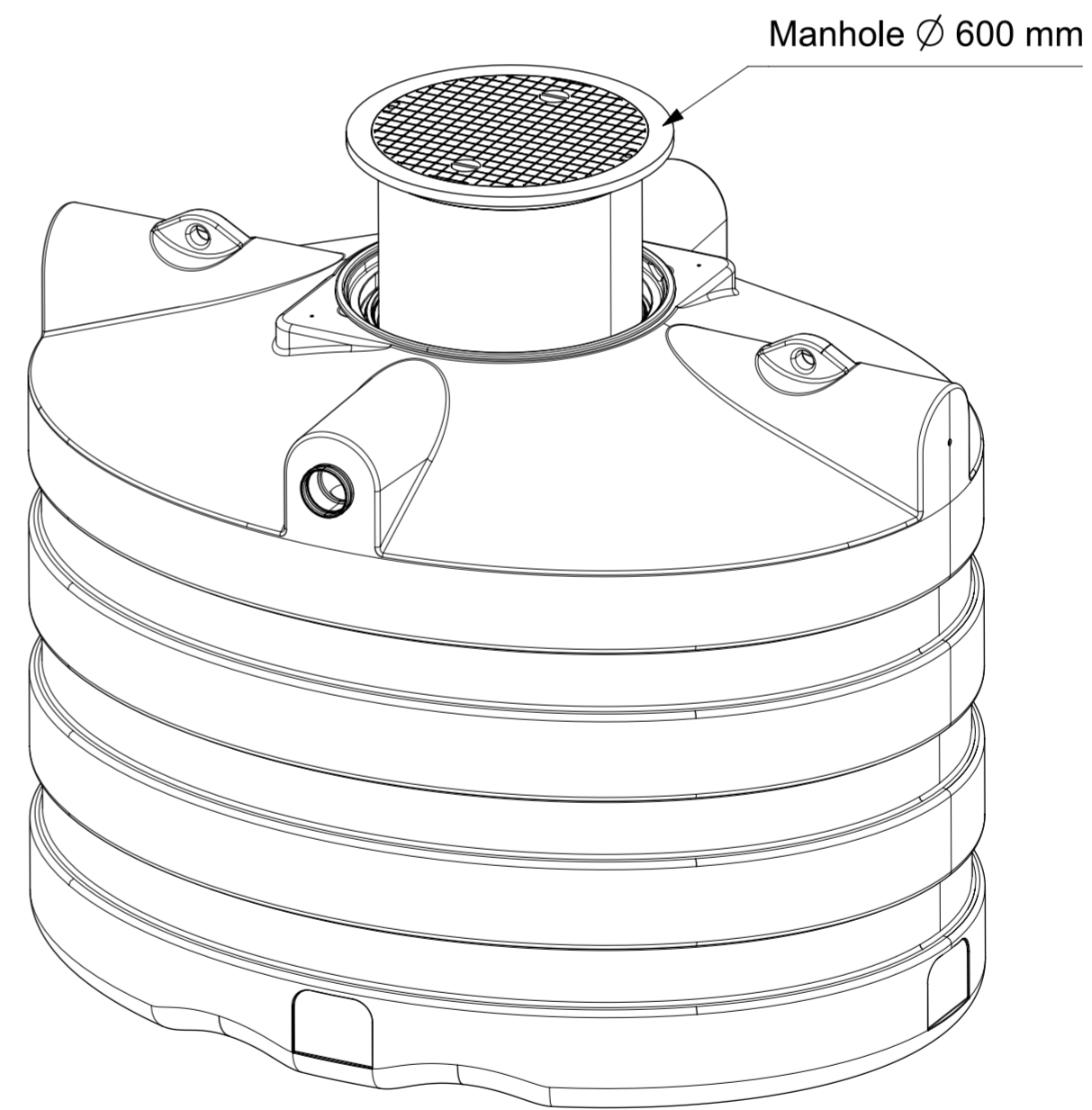
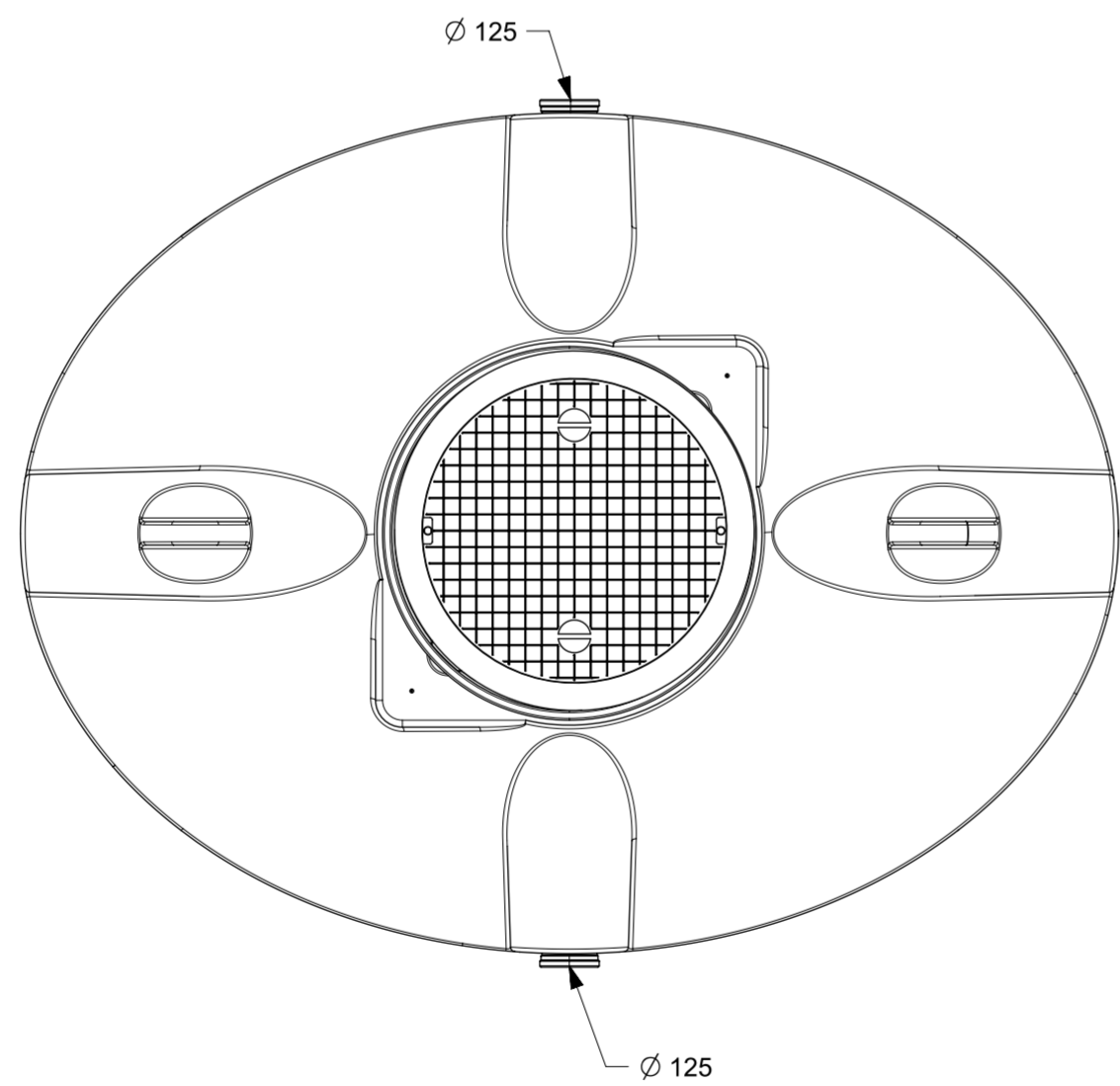
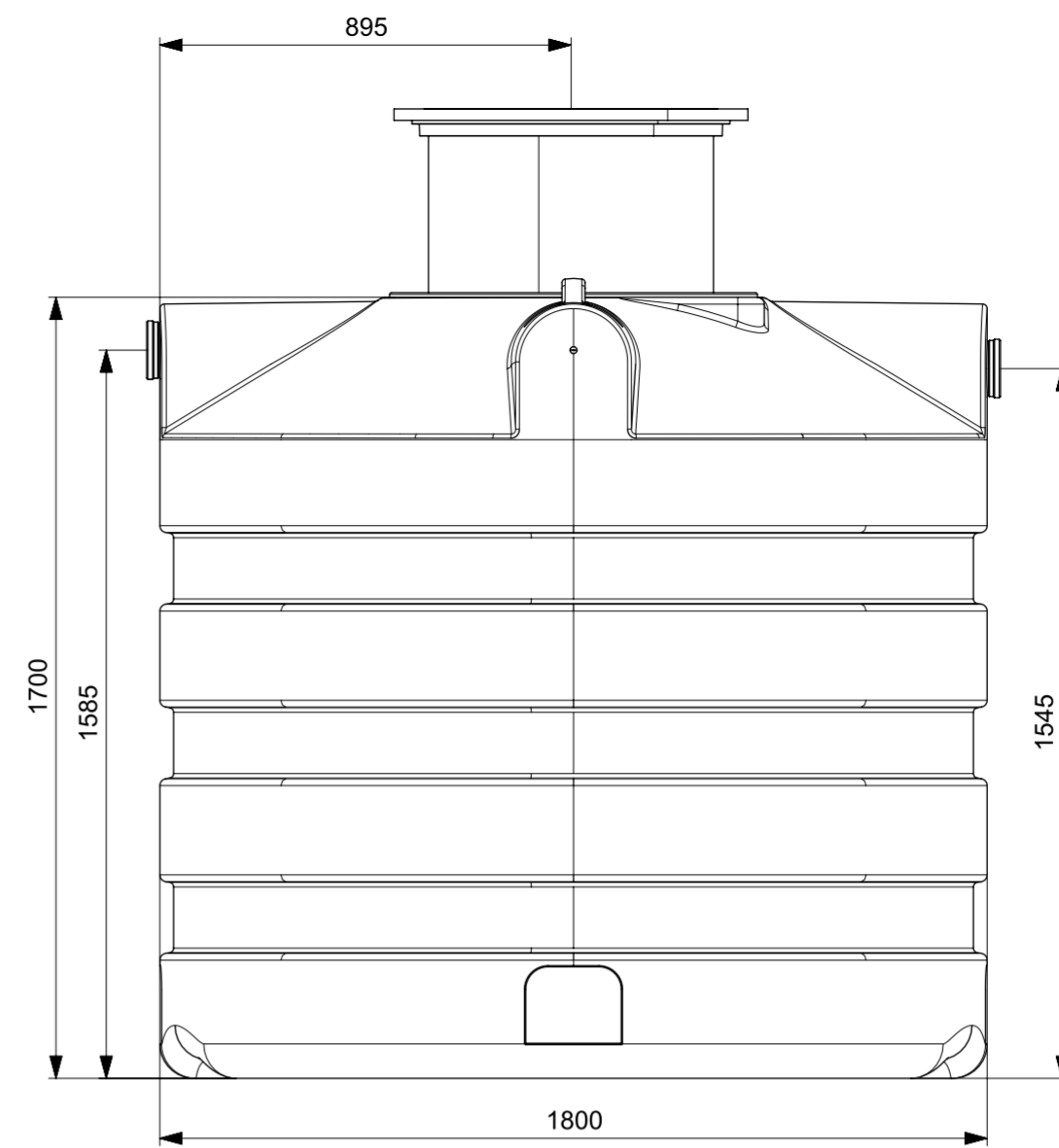
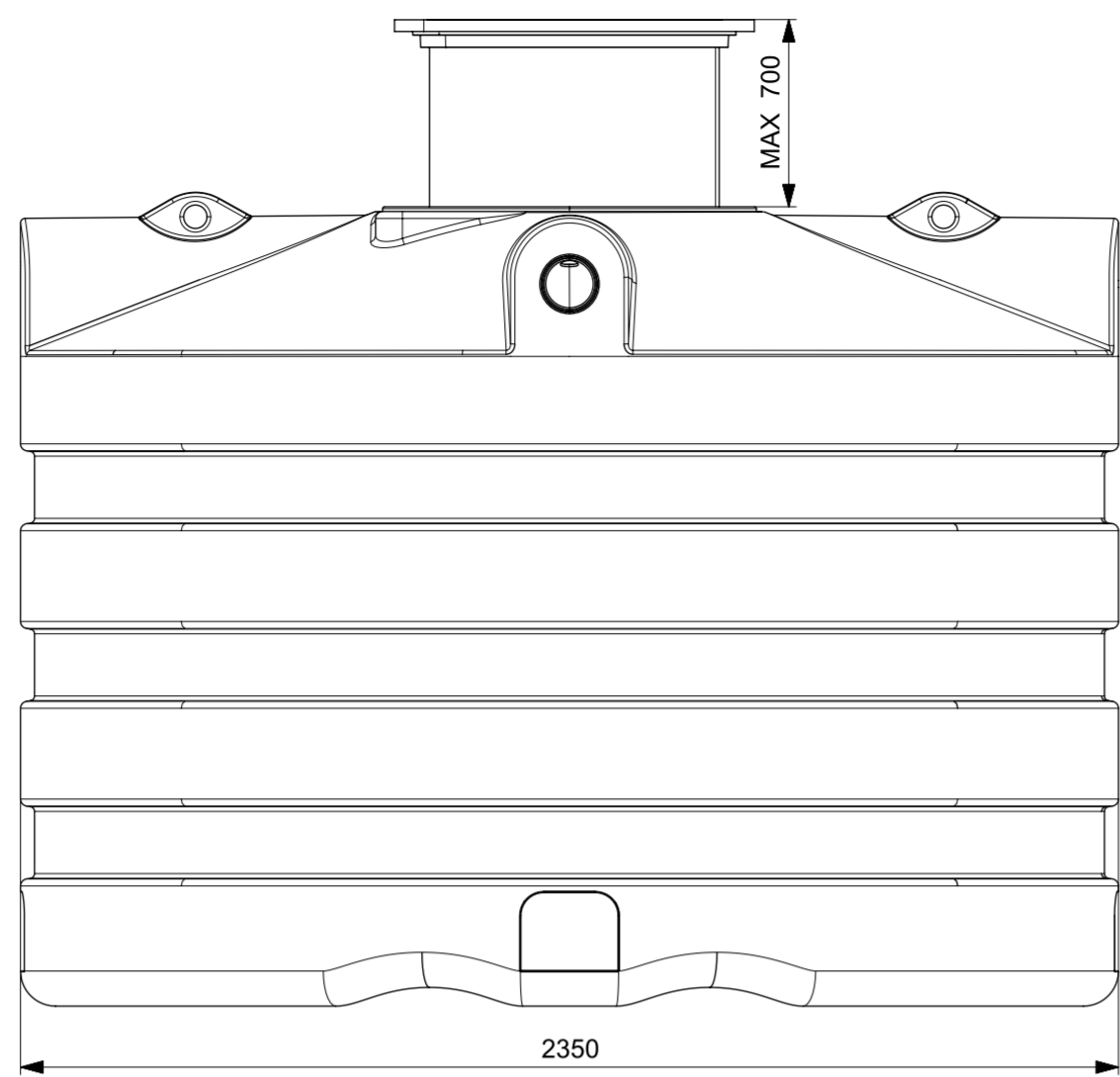


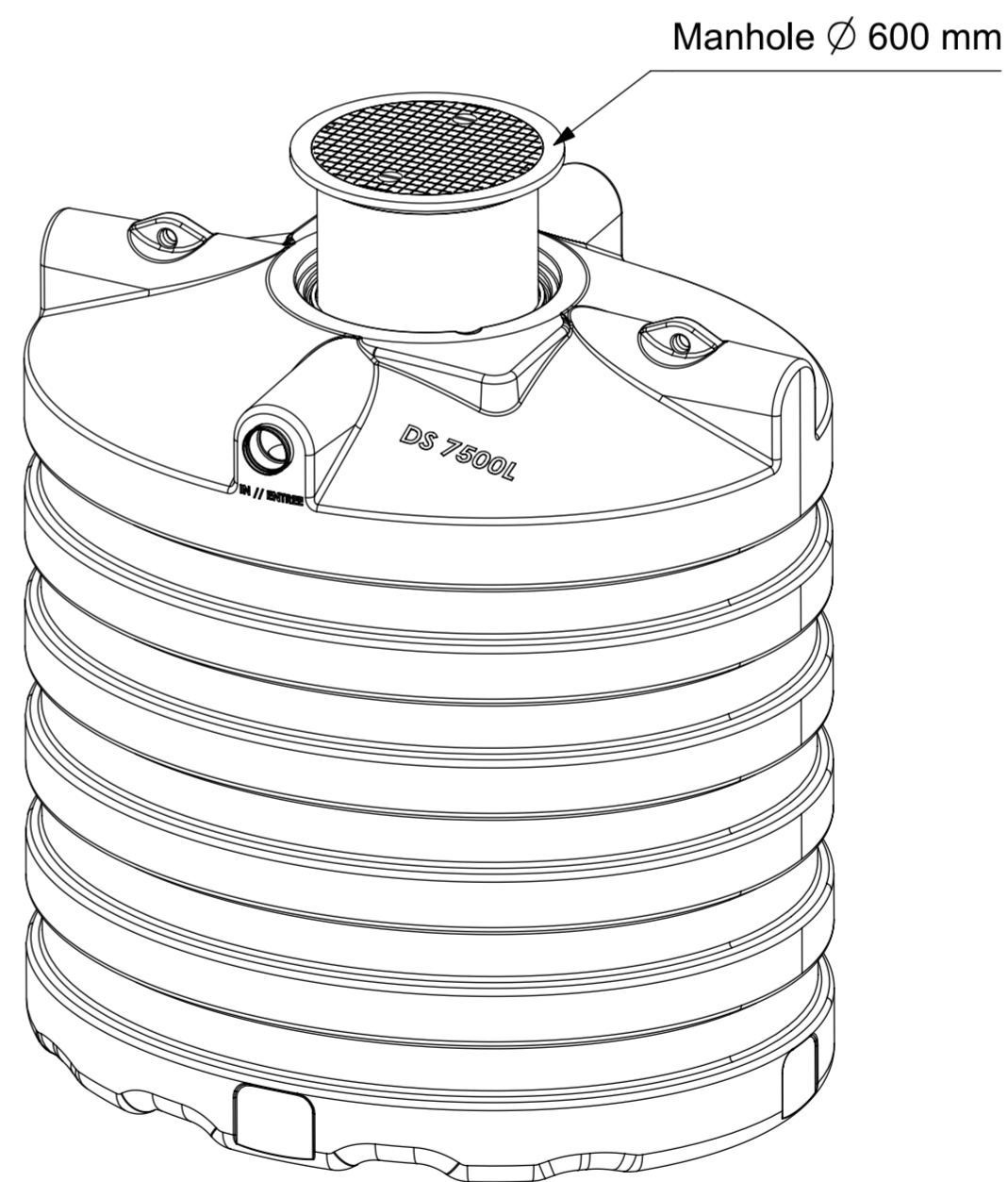
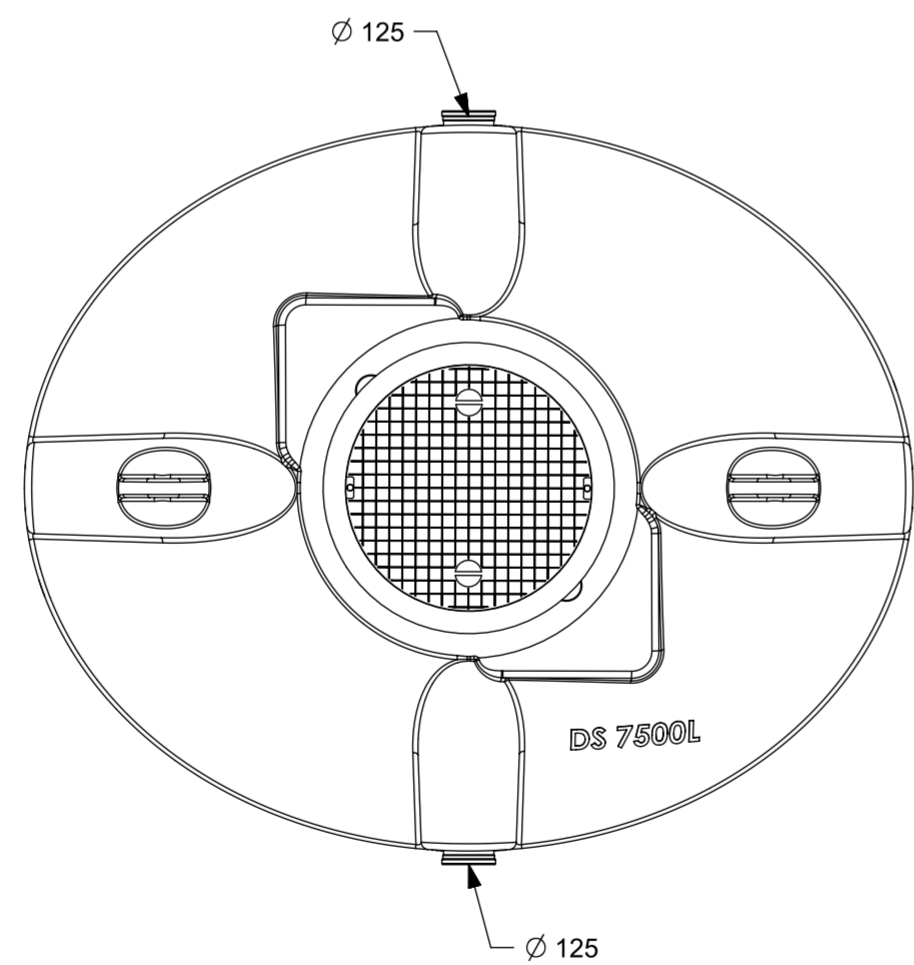
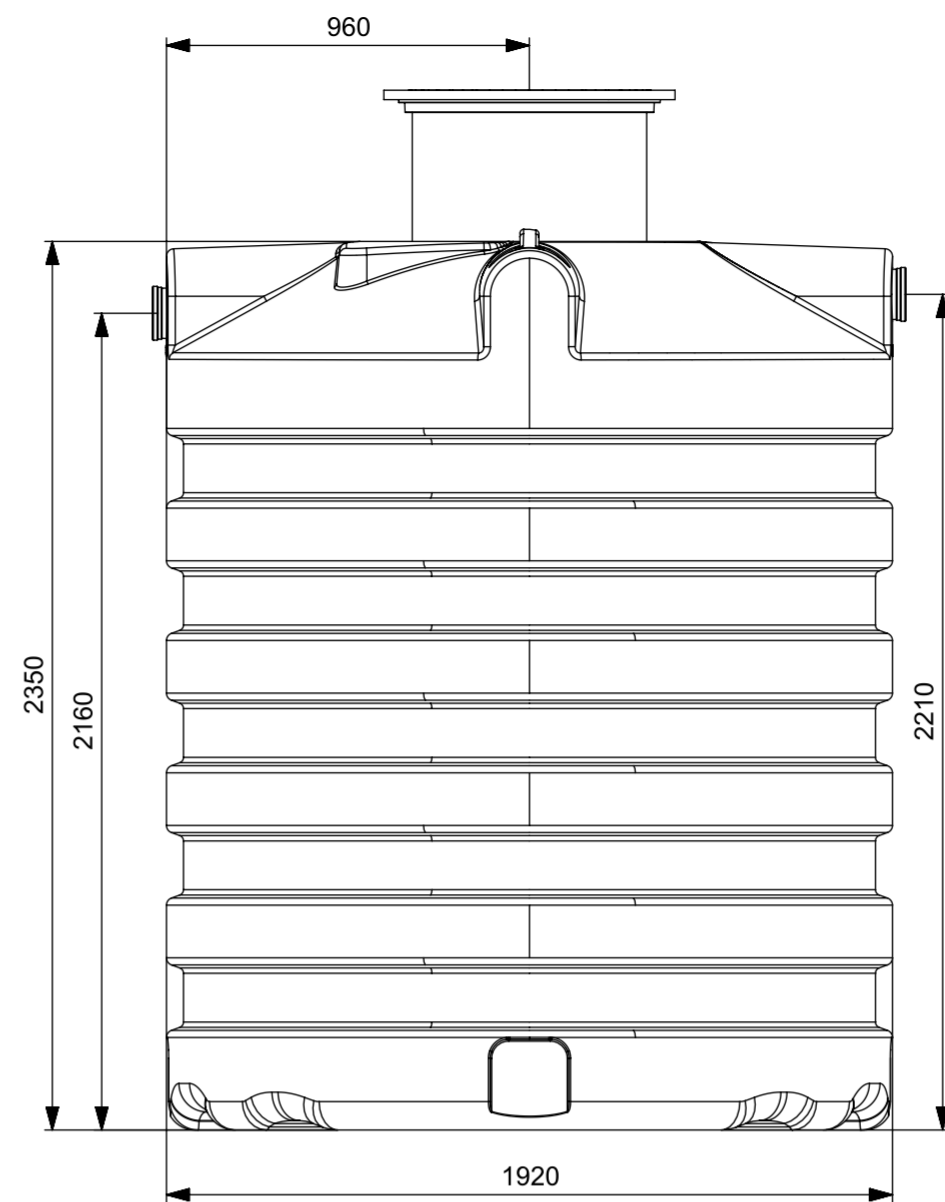
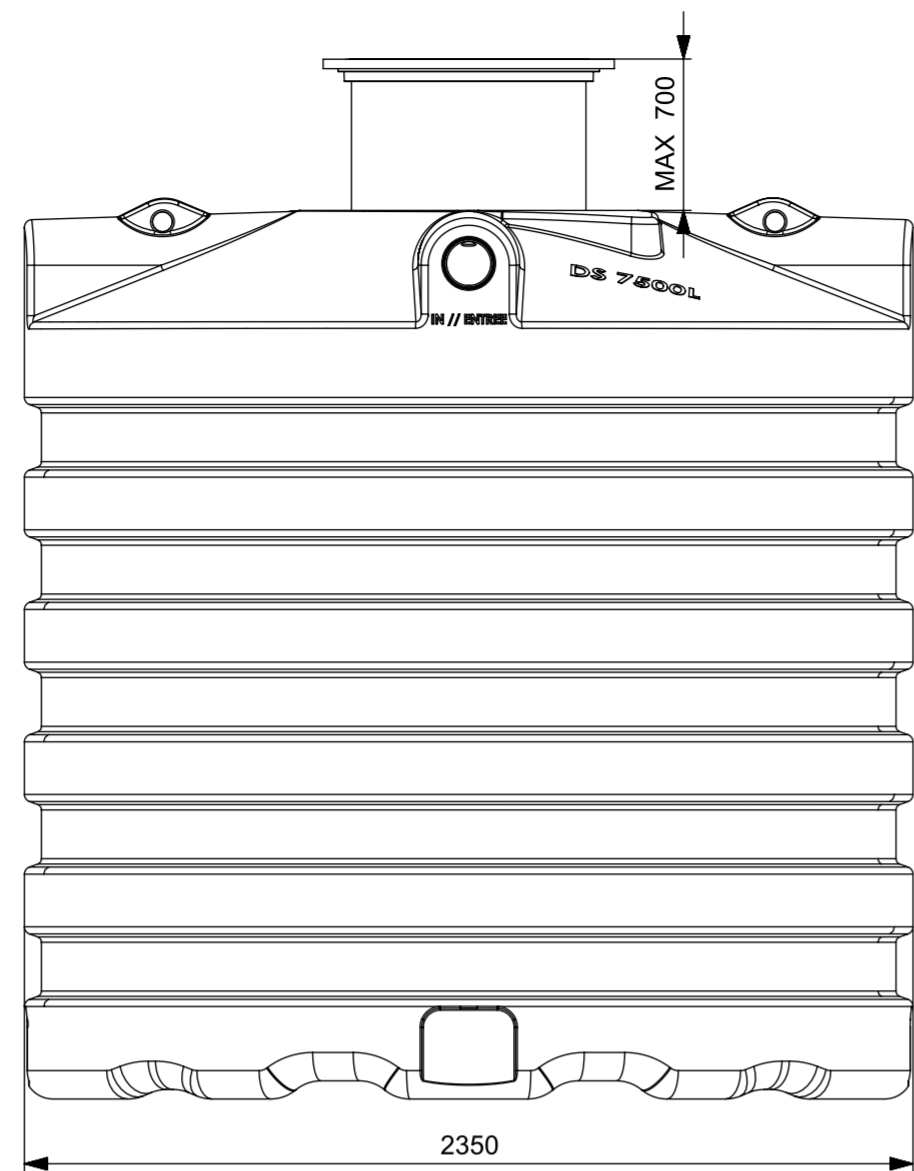
Linear tolerances	Surface roughness	Shape and positioning tolerances	Bend tolerances	Finishing
Drawing name				Material
<b>DS 4000L</b>				LLDPE
Drawn by	Name	Date	Drawing number	Sheet 1 of 1
Approved by			<b>DS_4000L_2D_1.01.prt</b>	Scale 1 : 16
unit : MM			Format	A2
<b>DS PLASTICS</b> WATERTIGHT SOLUTIONS			DS PLASTICS N.V. Mosten 18 9160 Lokeren T: +32 (0)9 280 78 80	All rights reserved. No parts of this concept may be reproduced in any form or by any means without the prior written permission of DS PLASTICS N.V.



Linear tolerances	Surface roughness	Shape and positioning tolerances	Bend tolerances	Finishing
Drawing name				Material
<b>DS 6000L</b>				LLDPE
Drawn by	Name	Date	Drawing number	Sheet 1 of 1
Approved by			DS_6000L_2D_1.01.prt	Scale 1 : 20
			unit : MM	Format A2
<b>DS PLASTICS</b> WATERTIGHT SOLUTIONS			DS PLASTICS N.V. Mosten 18 9160 Lokeren T: +32 (0)9 280 78 80	All rights reserved. No parts of this concept may be reproduced in any form or by any means without the prior written permission of DS PLASTICS N.V.



Linear tolerances	Surface roughness	Shape and positioning tolerances	Bend tolerances	Finishing
Drawing name				Material
<b>DS 5000L</b>				LLDPE
Drawn by	Name	Date	Drawing number	Sheet 1 of 1
Approved by	unit : MM		DS_5000L_2D_1.01.prt	Scale 1 : 16
<b>DS PLASTICS</b> WATERTIGHT SOLUTIONS DS PLASTICS N.V. Mosten 18 9160 Lokeren T: +32 (0)9 280 78 80				Format A2
All rights reserved. No parts of this concept may be reproduced in any form or by any means without the prior written permission of DS PLASTICS N.V.				



Linear tolerances	Surface roughness	Shape and positioning tolerances	Bend tolerances	Finishing
Drawing name				Material
<b>DS 7500L</b>				LLDPE
Drawn by	Name	Date	Drawing number	Sheet
Approved by	unit : MM			Scale
<b>DS PLASTICS</b> WATERTIGHT SOLUTIONS			DS PLASTICS N.V. Mosten 18 9160 Lokeren T: +32 (0)9 280 78 80	1 of 1 1 : 20 A2
All rights reserved. No parts of this concept may be reproduced in any form or by any means without the prior written permission of DS PLASTICS N.V.				